

## Start Here ▶▶▶

### 1. System Requirements

- Pentium compatible PC or above w/ CD-ROM
- 802.11b, 802.11g or 802.11n Wireless Network

### Check Package Contents

- 1 x Hi-Gain™ Outdoor Wireless-N Dual Radio Smart Repeater
- 2 x Hi-Gain Outdoor Antennas
- 1 x PoE Injector
- 1 x L-shape antenna connector
- 1 x Waterproof Gasket Kit for RJ-45

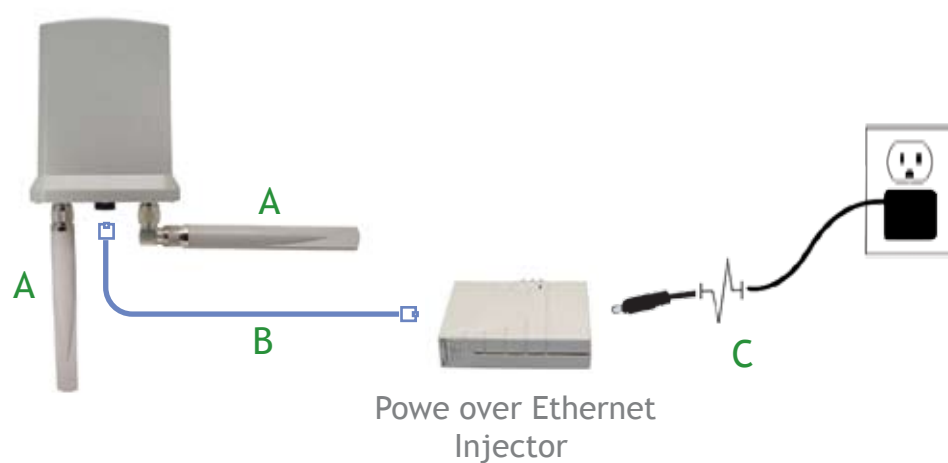


- 1 x Power Cable and Power Transformer
- 1 x Ethernet Cable
- 1 x Mounting Kit
- 1 x Setup CD-Rom



### 2. Initial Configuration: Hardware Setup

Hi-Gain™ Outdoor Dual Radio Smart Repeater



Set up your hardware according to the diagram on the left for the initial setup of the Outdoor Smart Repeater. After the initial setup is complete, you may mount the Outdoor Repeater in your desired location.

- Attach the antennas to the antenna connectors (optional: the L-shape antenna connector is used to establish signal diversity for more wireless range.)
- Attach an Ethernet cable from the PoE Injector to the Ethernet Port on the Outdoor Smart Repeater
- Attach the power adapter and power cable to the PoE Injector

### 2. Find an Installation Location

Your Hi-Gain™ Outdoor Wireless-N Dual Radio Smart Repeater should be placed in an optimal location in your home or office to obtain the best performance. Find a location that is closest to the wireless Internet connection that you are trying to connect to.

**Make sure the Repeater is placed in a location where it can receive a strong signal from the wireless Internet connection you wish to connect to. The Repeater will not work without a signal that it can repeat.**

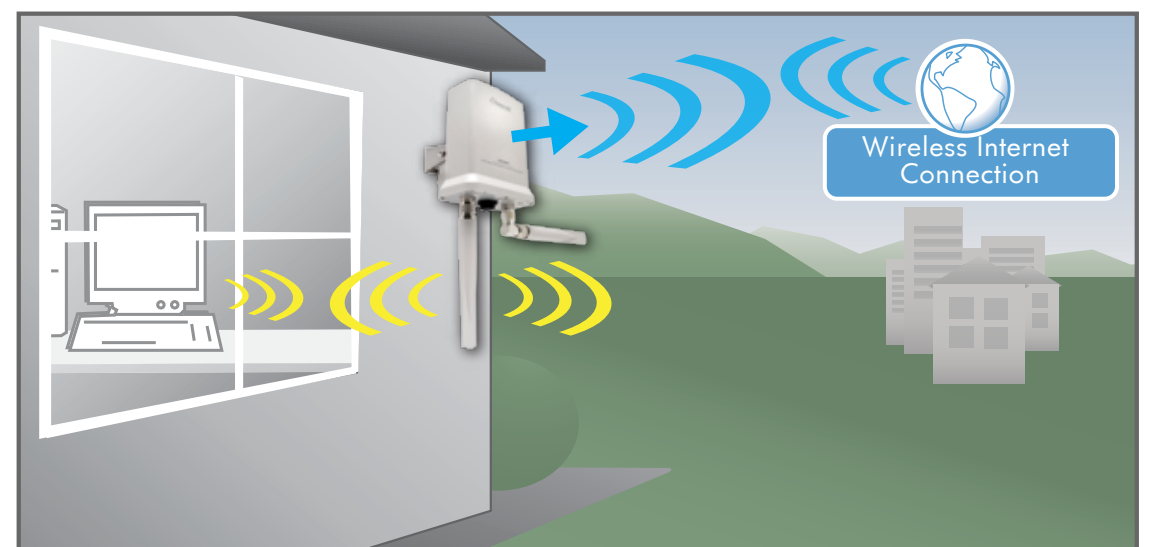
#### A. Direct the Outdoor Smart Repeater's Directional Antenna towards the Source of your Wireless Internet Connection

The Internal Hi-Gain Wireless Directional Internet Antenna is designed so that the Hawking logo should be pointed towards your wireless source

See the diagram to the right for antenna orientation instructions

#### B. Plug in the Power Adapter

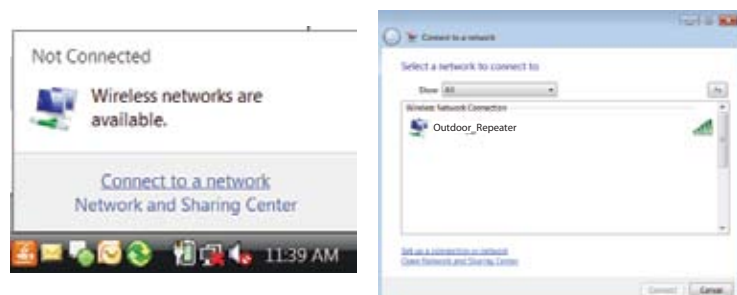
When you have completed the antenna setup, plug in the included power adapter from the PoE injector in an available power outlet.



- Securely mount and position the HOW2R1 facing a wireless Internet connection
- Scan and connect to an outside wireless network

### 3. Connect to the Repeater

Using a computer with wireless networking access, connect to the Repeater by searching for the wireless network named: **Outdoor\_Repeater**



To create a wired LAN connection, an ethernet cable may be connected to the LAN port of the PoE injector.

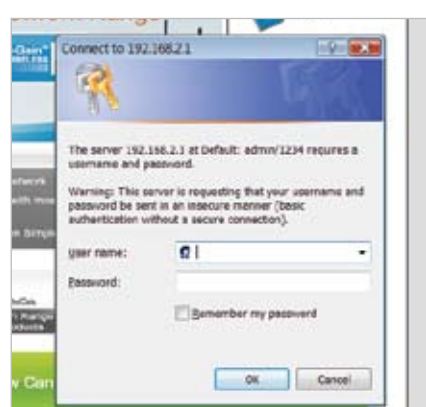
Click **Next** to continue.

### 4. Open a Web Browser

Using the same computer, open a web browser and type in the following web address in the web address bar:

<http://setup.hawkingtech.com>

(If the above address fails use the following address in your web browser address bar: <http://192.168.1.220>)



Once the page loads, enter the following login information:

Login: **admin**  
Password: **1234**

Click **Login** to continue.

### 5. Scan for your Network

Click **Scan** to find your wireless Internet connection. After the list appears, select the connection and click **Connect**.



If the signal strength is low or your network does not appear, you may need to readjust your location of your Repeater or the position of its antennas. Click **Scan** to try again. Click **Next** to continue.

## 6. Configuration Settings

The Setup Wizard will now prompt you to automatically configure your IP settings (recommended) and enter a security key if the network you are connecting to is an encrypted network. Enter the key and click **Continue**.



IP Settings



Wireless Security

If you do not know the security key of the network you are connecting to, consult your network administrator.

## 7. Complete Setup

The setup of your Repeater is now complete. If you wish to change the **name (SSID)** of your home/office wireless network (Outdoor\_Repeater) you may do so here.

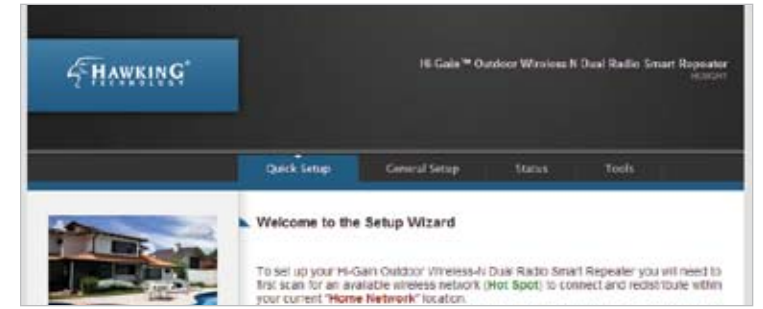


Click **Finish** to complete your setup then click **Apply** to confirm settings and reboot. The wizard will prompt you to test your Internet connection after the system has rebooted.

If you wish to add **wireless security** to your home/office network you may enter one here. All users logging in through the Repeater will be required to enter this passcode.

## 8. Additional Setup Features

The HOW2R1 has many additional setup features. To access these settings you may click on any of the main menu tabs located on the interface: **General Setup**, **Status** and **Tools**.



For more information on the advanced features and settings of the Hi-Gain™ Outdoor Wireless-N Dual Radio Smart Repeater please refer to the User's Manual.

## Mounting your Outdoor Dual Radio Smart Repeater

With the initial configuration complete, you may now mount your Outdoor Smart Repeater in your desired location.

**Note:** Face the Hawking logo on the Smart Repeater towards the source of your wireless Internet connection. The internal Hi-Gain Directional Antenna uses a concentrated, narrow signal pattern and may need to be adjusted for the best wireless connection with your wireless Internet connection.

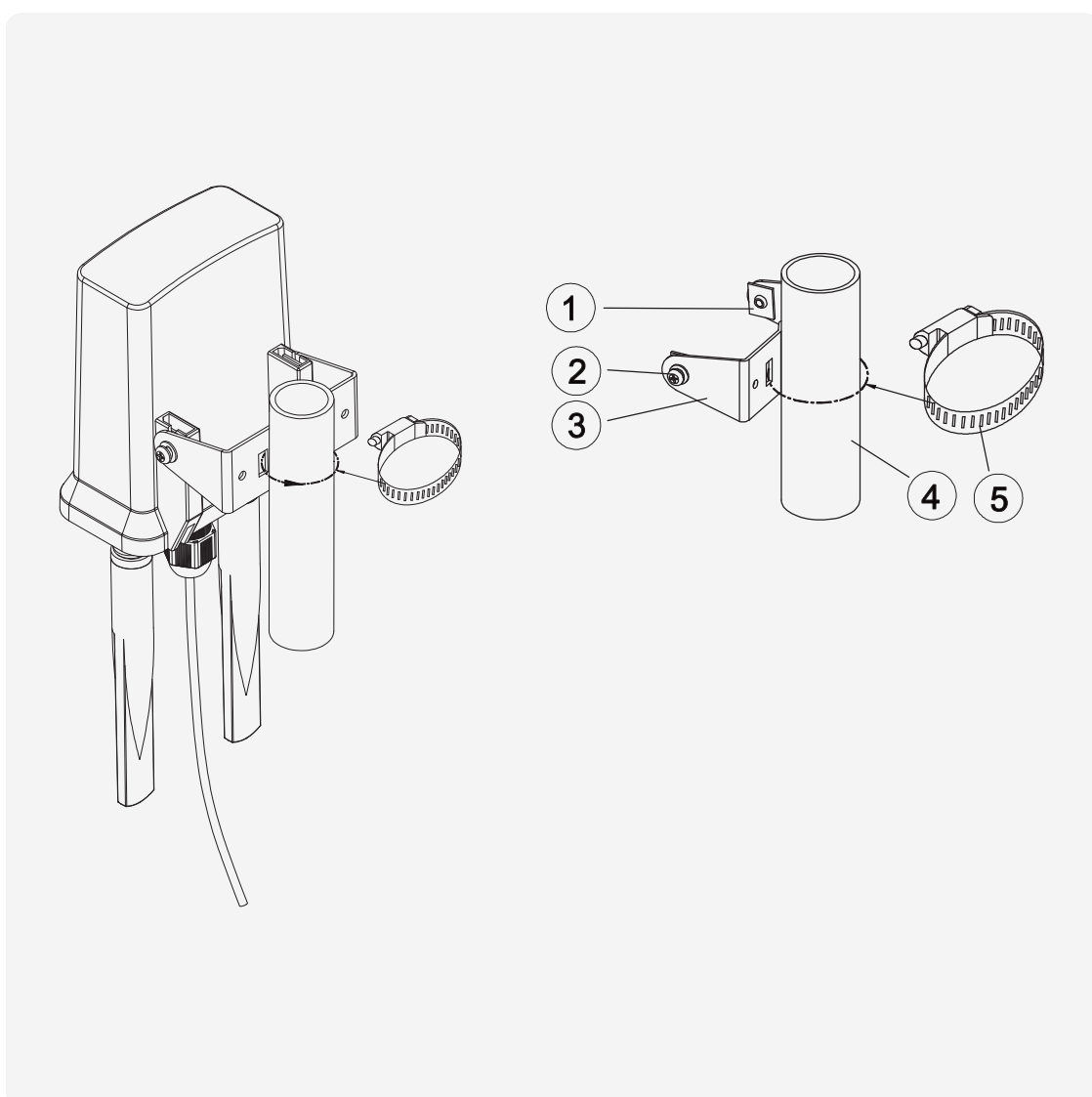
See the instructions below on how to use the included mounting kit.

### Mounting and Assembly Instruction

**Note:** Do NOT mount your Smart Repeater until you have completed the initial configuration. Double check the contents of your mounting kit before you begin installation.

1. Square Nut (2 pcs)
2. M5-12 Screw (2 pcs)
3. M Shape Mounting (1 pc)
4. Pole (not included)
5. Hose Clamp 2 (1 pc)
6. Wall Screw (2 pcs)
7. Wall Anchor (2 pcs)
8. Wall (not included)
9. Omni-Directional Antenna (2 pcs)
10. RJ-45 Connector (1 pc)
11. Water Proof Gasket Kit for RJ-45 (1 pc)

### FOR POLE MOUNT



### FOR WALL MOUNT

